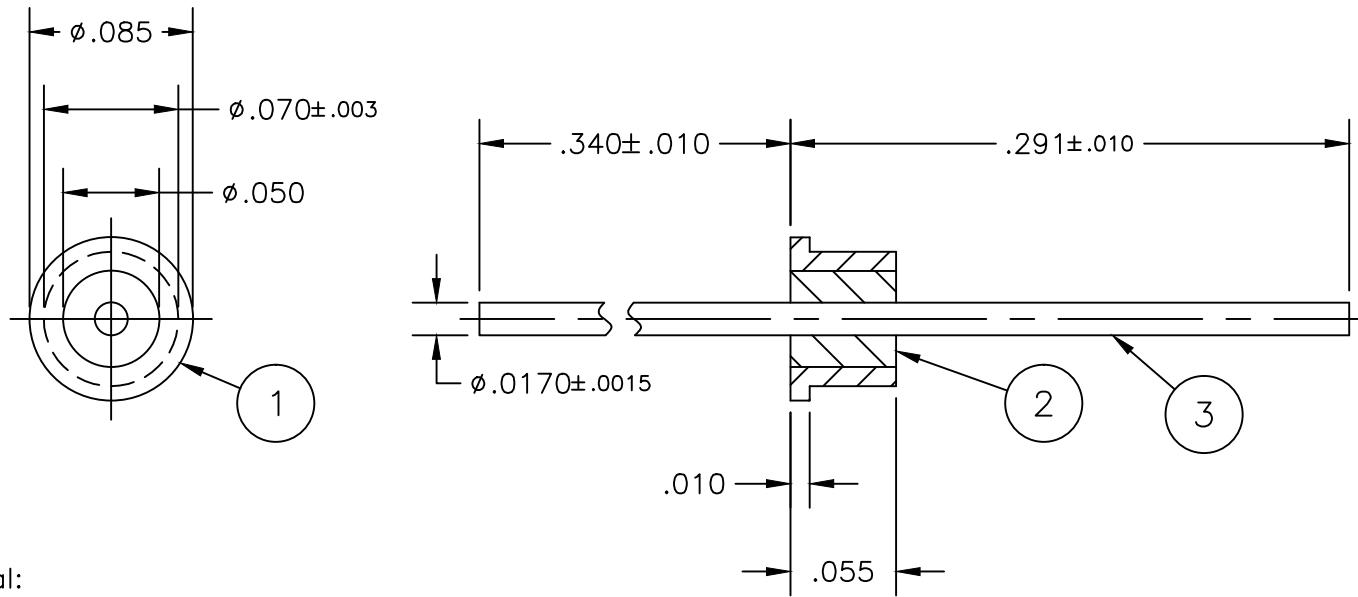


Revision

A 4940

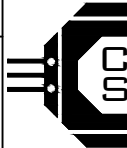
New Title  
Block  
MLM 8/19/14

CSA-0-1-1-00031



NOTES:

1. Material:
  - 1.1. Eyelet - C1213-C1215 C.R.S.
  - 1.2. Electrode - #52 Alloy
  - 1.3. Glass - Corning 9013 or equivalent
2. Finish: 100-300 microinches matte Tin/Lead plating (lead content to be 3% minimum balance tin) over 100-300 microinches Sulfamate Nickel per QQ-N-290.
  - 2.1. Plating Area - 0.052 in<sup>2</sup>
3. Solderability of all metal parts to meet or exceed MIL-STD-202, Method 208.

	Aligning Plate	1PF	CSF-0-1-1-00001	SHEET 1 OF 1		 <b>CENTURY SEALS</b> Seaford, DE 19973 (302) 629-0324 www.centuryseals.com
	B/F Assembly	581AL	CSF-0-7-1-00001	UNLESS OTHERWISE SPECIFIED ALL DIMENSIONS ARE IN INCHES		
3	Electrode	1	CPC-3-1-1-00002	DECIMALS	ANGULAR	TOLERANCES .XX = ±.01                      ±5° .XXX = ±.005                  DO NOT SCALE .XXXX = ±.0005               DRAWING
2	Pellet	1	CSC-2-1-4-00001	Drawn/Date	AB 6/20/11	
1	Eyelet	1	CPC-1-2-1-00001	App'd/Date	CJ 6/22/11	
#	DESCRIPTION	QTY	PART NUMBER			<b>TERMINAL ASSEMBLY</b> P/N: CSA-0-1-1-00031      Rev. A CAGE CODE: 3BW86