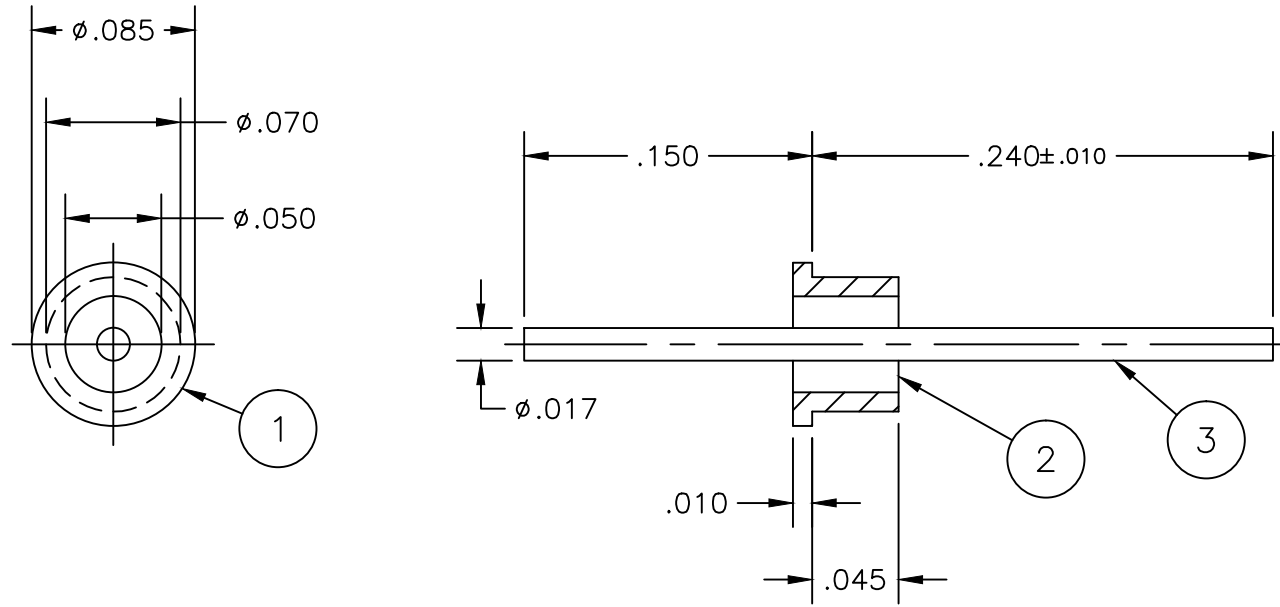


Revision

A 4940

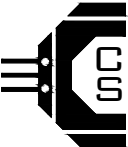
New Title
Block
MLM 8/19/14

CSA-0-1-1-00036



NOTES:

1. Material:
 - 1.1. Eyelet - C1213-C1215 C.R.S.
 - 1.2. Electrode - #52 Alloy
 - 1.3. Glass - Corning 9013 or equivalent
2. Finish: 100-300 microinches Tin plating per MIL-T-10727 Type 1 over 50-200 microinches Sulfamate Nickel as measured on pin per QQ-N-290.
 - 2.1. Plating thickness shall not increase eyelet diameter beyond .073 max.
 - 2.2. Plating Area - 0.039 in²
3. Solderability of all metal parts to meet or exceed MIL-STD-202, Method 208.

	Aligning Plate	1PF	CSF-0-1-1-00001	SHEET 1 OF 1		 CENTURY SEALS Seaford, DE 19973 (302) 629-0324 www.centuryseals.com	
	B/F Assembly	581AL	CSF-0-7-1-00101	UNLESS OTHERWISE SPECIFIED ALL DIMENSIONS ARE IN INCHES			
3	Electrode	1	CPC-3-1-1-00073	DECIMALS	ANGULAR	DO NOT SCALE DRAWING	
2	Pellet	1	CSC-2-1-4-00001	.XX = ±.01	±5°		
1	Eyelet	1	CPC-1-2-1-00001	.XXX = ±.005			
#	DESCRIPTION	QTY	PART NUMBER	Drawn/Date	AB 6/20/11		
				App'd/Date	CJ 6/22/11		
						TERMINAL ASSEMBLY	
						P/N: CSA-0-1-1-00036	Rev. A
						CAGE CODE: 3BW86	