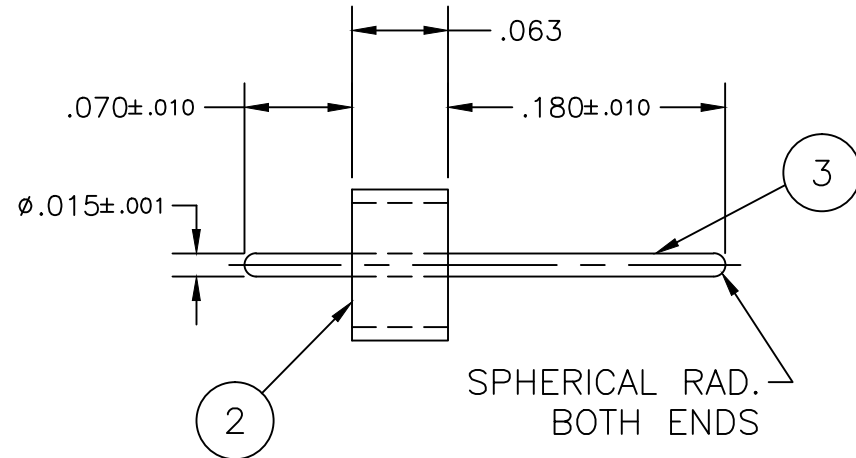
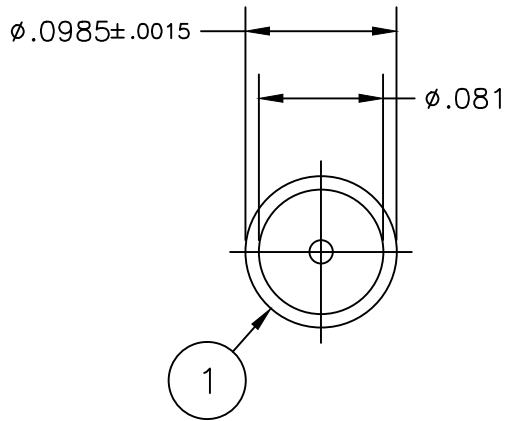


Revision

A 4940

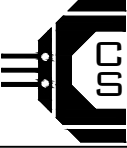
New Title  
Block  
MLM 8/19/14

CSA-0-1-2-00045



NOTES:

1. Material:
  - 1.1. Eyelet & Electrode – Kovar
  - 1.2. Glass – Corning 7070
2. Finish: 50 microinches min. High Purity Gold per ASTM B488, Type III, Code A over 50–150 microinches Electrolytic Nickel per QQ-N-290.
  - 2.1. Plating Area – 0.037 in<sup>2</sup>
3. Hermeticity: 1x10<sup>-8</sup> CC/Sec @ one atmosphere.
4. Solderability of metal parts per MIL-STD-202, Method 208.

	Aligning Plate	1PF	CSF-0-1-2-00022	SHEET 1 OF 1		 <b>CENTURY SEALS</b> Seaford, DE 19973 (302) 629-0324 www.centuryseals.com
	B/F Assembly	581AL	CSF-0-7-2-00064	UNLESS OTHERWISE SPECIFIED ALL DIMENSIONS ARE IN INCHES		
3	Electrode	1	CPC-3-1-3-00181	DECIMALS	ANGULAR	TOLERANCES .XX = ±.01                      ±5° .XXX = ±.005                  DO NOT SCALE .XXXX = ±.0005               DRAWING
2	Pellet	1	CSC-2-1-7-00014	Drawn/Date	AB 6/21/11	
1	Eyelet	1	CPC-1-2-2-00004	App'd/Date	CJ 6/22/11	
#	DESCRIPTION	QTY	PART NUMBER			TERMINAL ASSEMBLY P/N: CSA-0-1-2-00045 CAGE CODE: 3BW86
						Rev. A www.centuryseals.com