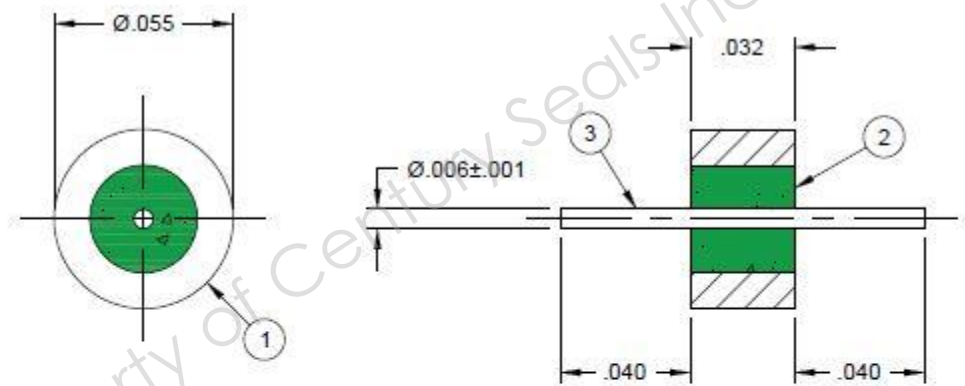


New Product Release!

.006Ø Feedthrough

Operating Frequencies up to 90 GHz



NOTES:

1. MATERIAL: EYELET AND PIN - KOVAR PER ASTM F-15
GLASS - CORNING 7070 OR EQUIV.
2. FINISH: 50 MICROINCHES MIN. GOLD PER MIL-DTL-45204 TYPE III
OVER 50-150 MICROINCHES ELECTROLESS NICKEL PER AMS-C-26074.

